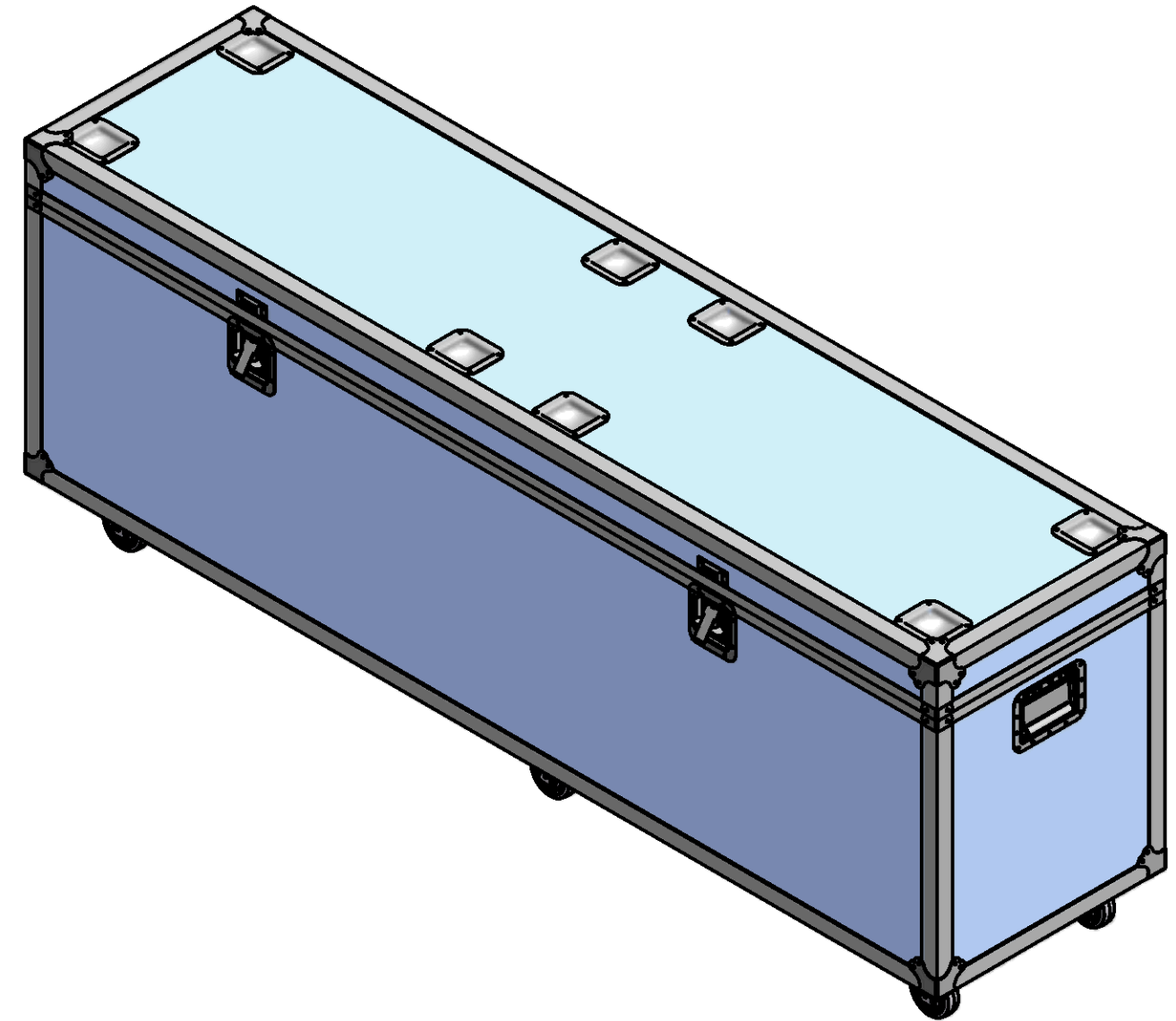
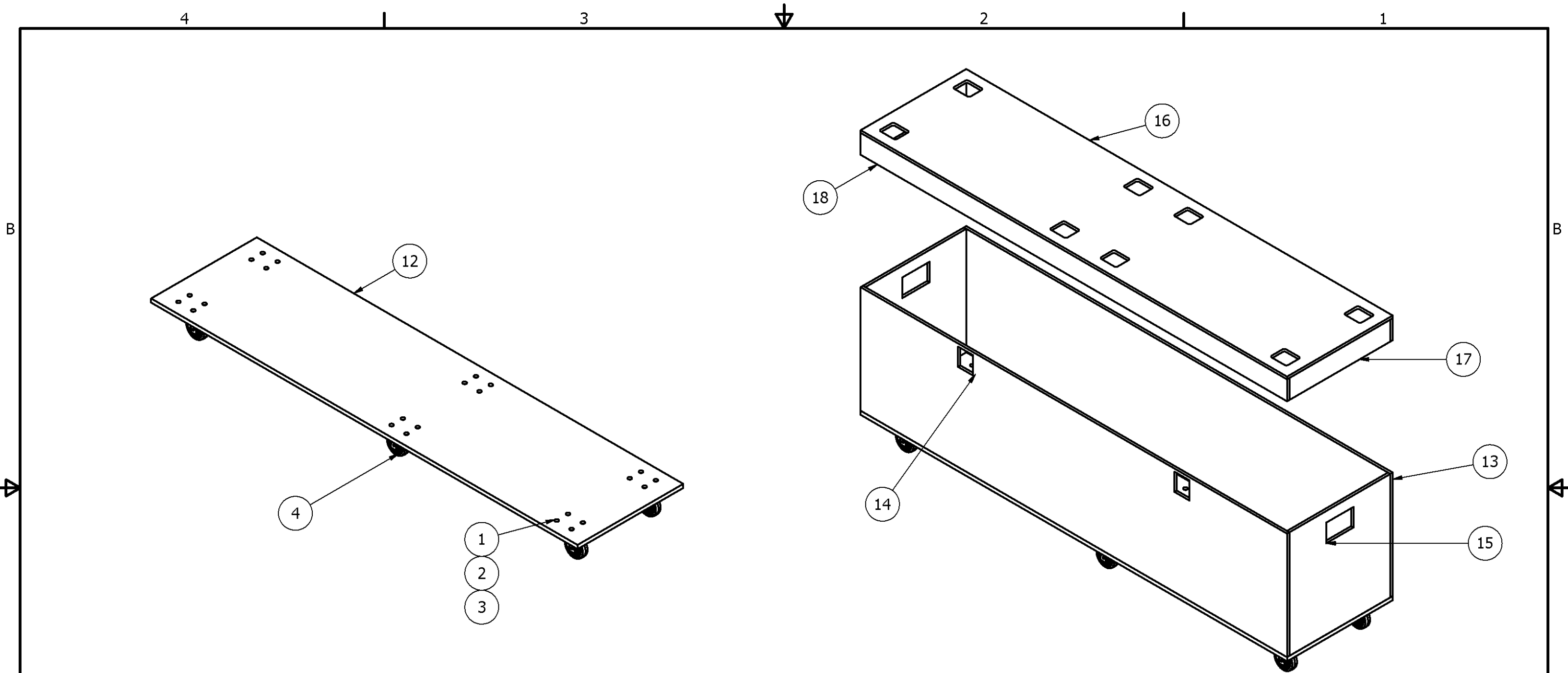


Resources		
Resource	Material	Quantity
1	1/2" Plywood 4' x 8'	2-1/2 sheets
2	6061 Aluminum Angle 1-1/2" x 1-1/2" x .125" thick	40 ft
3	1/2" Aluminum heavy duty groove extrusion	20 ft
4	1/2" Aluminum heavy duty tongue extrusion	20 ft
5	3/4" Plywood 4' x 8'	1 sheet

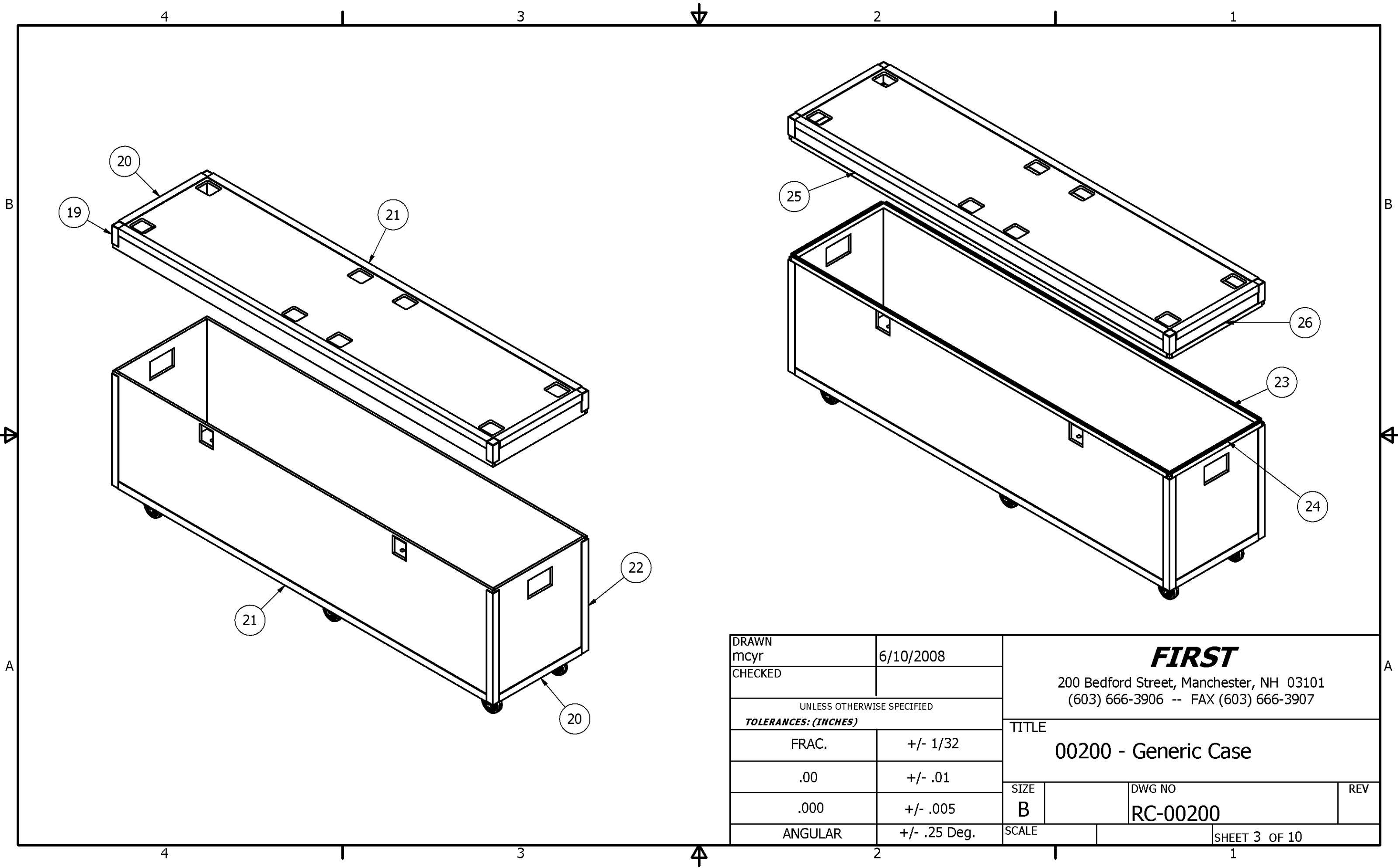
Parts List			
ITEM	QTY	PART NUMBER	DESCRIPTION
1	24	HW-00001	Carriage Bolt, 1/4-20 x 1.25
2	24	HW-00002	Nut, Lock 1/4-20
3	16	HW-00003	Washer, Flat 1/4"
4	6	PP-00001	Caster, Swivel 4"
5	2	PP-00002	Handle, Wide Grip
6	2	PP-00003	Catch, Retractable
7	2	PP-00004	Strike Plate
8	8	PP-00005	Corner, 16 GA
9	8	PP-00006	Strap, Corner
10	8	PP-00009	Cup, Caster
11	1	PP-00010-01	Hinge
12	1	RC-00200-01	22-1/4" x 89-3/4" x 3/4" Case bottom
13	1	RC-00200-02	22-1/2" x 89-3/4" x 1/2" Case back
14	1	"RC-00200-03	22-1/2" x 89-3/4" x 1/2" Case front
15	2	RC-00200-04	21-1/4" x 22-1/2" x 1/2" Case end
16	1	RC-00200-05	22-1/4" x 89-3/4" x 1/2" Cover top
17	2	RC-00200-06	4" x 21-1/4" x 1/2" Cover ends
18	2	RC-00200-07	4" x 89-3/4" x 1/2" Cover front & back
19	4	RC-00200-08	1-1/2" x 1/8" x 3-5/8" Aluminum Angle, Cover corners
20	4	RC-00200-09	1-1/2" x 1/8" x 19-1/2" Aluminum Angle, Ends top/cover & bottom/case
21	4	RC-00200-10	1-1/2" x 1/8" x 87" Aluminum Angle, Front & back / Top & bottom
22	4	RC-00200-11	1-1/2" x 1/8" x 22-3/4" Aluminum Angle, Case corners
23	2	RC-00200-12	1/2" x 88-1/2" Extrusion Groove, Case front & back
24	2	RC-00200-13	1/2" x 22-1/4" Extrusion Groove, Case ends
25	2	RC-00200-14	1/2" x 88-1/2" Extrusion Tongue, Cover front & back
26	2	RC-00200-15	1/2" x 21-1/4" Extrusion Tongue, Cover ends



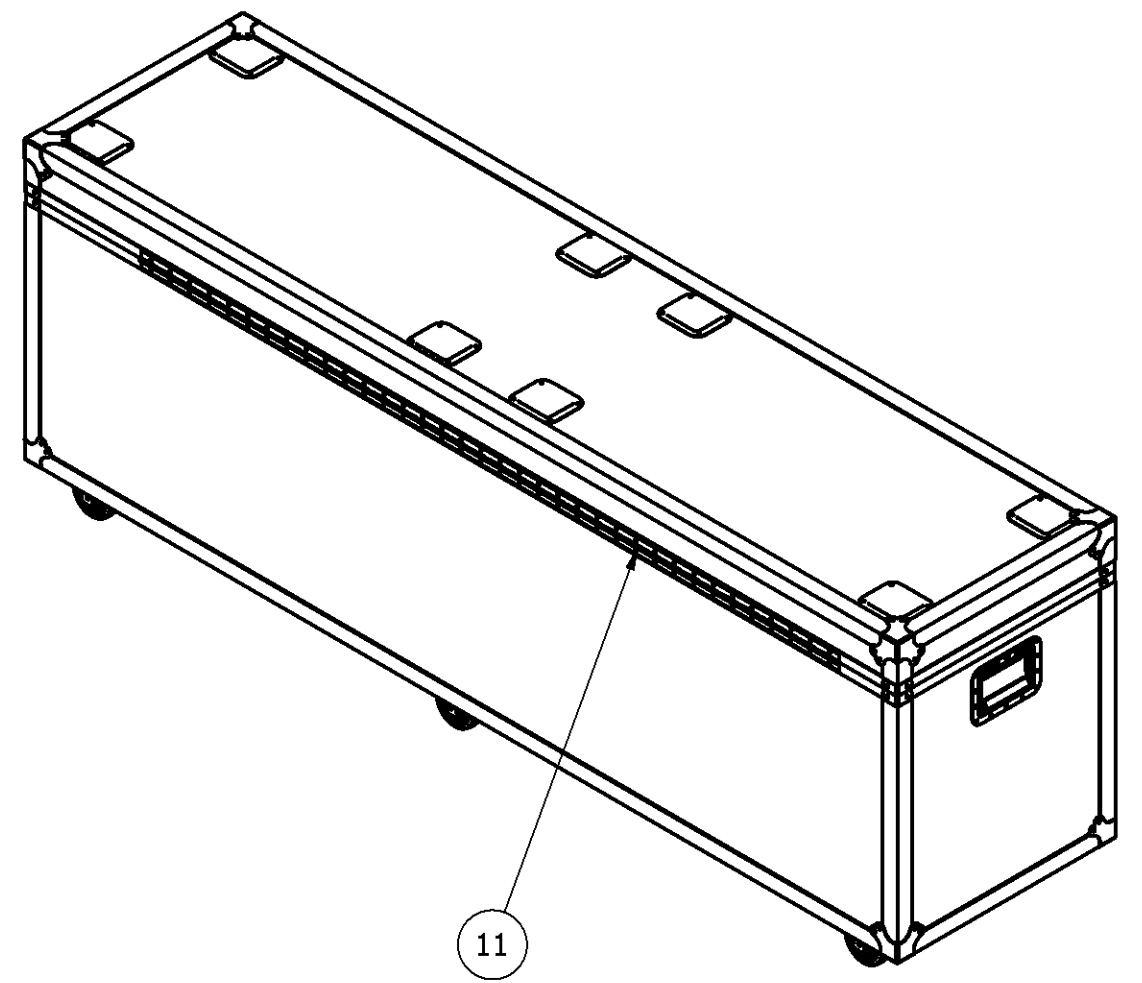
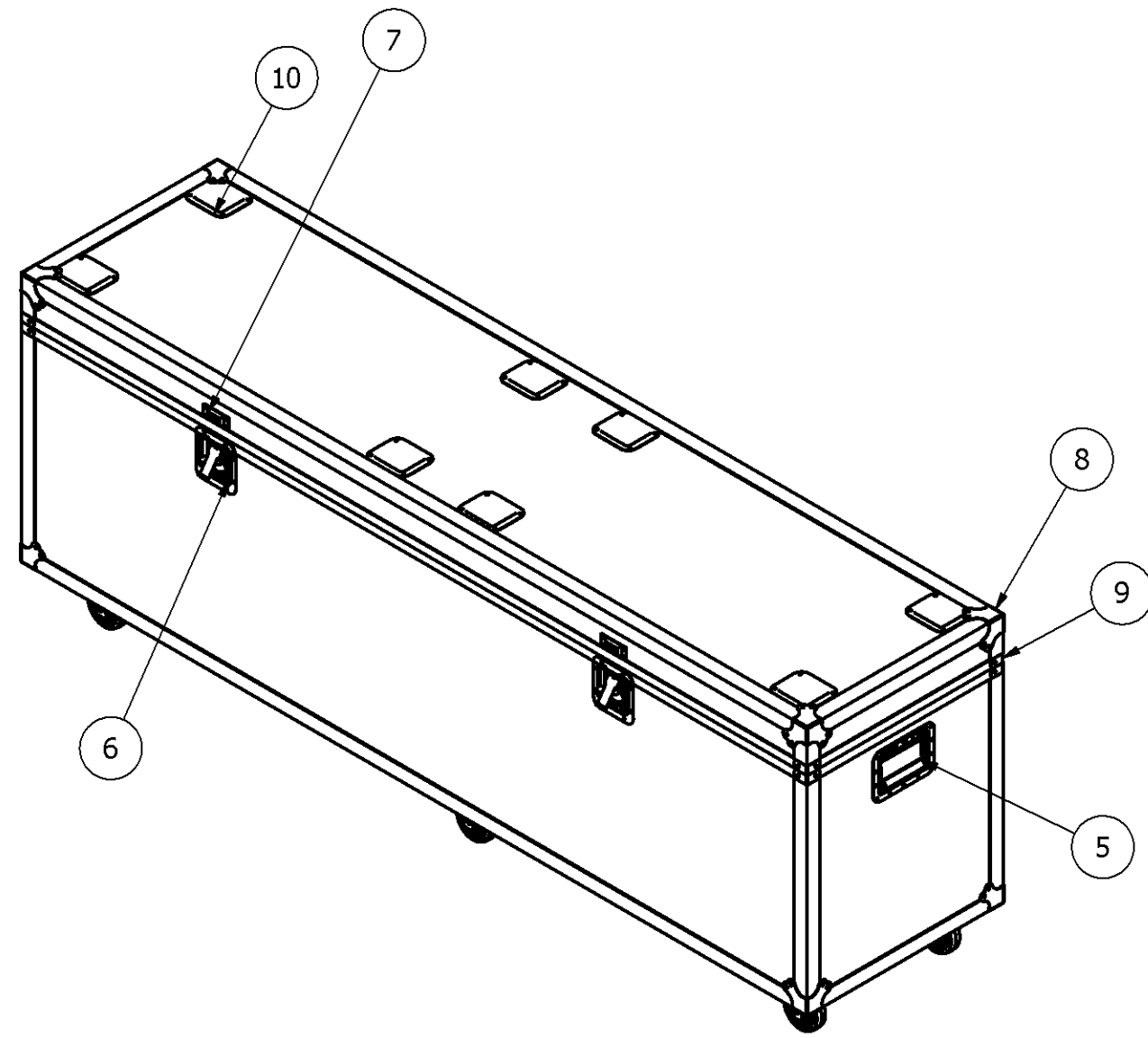
DRAWN mcyr	6/10/2008	FIRST 200 Bedford Street, Manchester, NH 03101 (603) 666-3906 -- FAX (603) 666-3907		
CHECKED				
UNLESS OTHERWISE SPECIFIED		TITLE 00200 - Generic Case		
TOLERANCES: (INCHES)				
FRAC.	+/- 1/32			
.00	+/- .01	SIZE B	DWG NO RC-00200	REV
.000	+/- .005	SCALE		SHEET 1 OF 10
ANGULAR	+/- .25 Deg.			



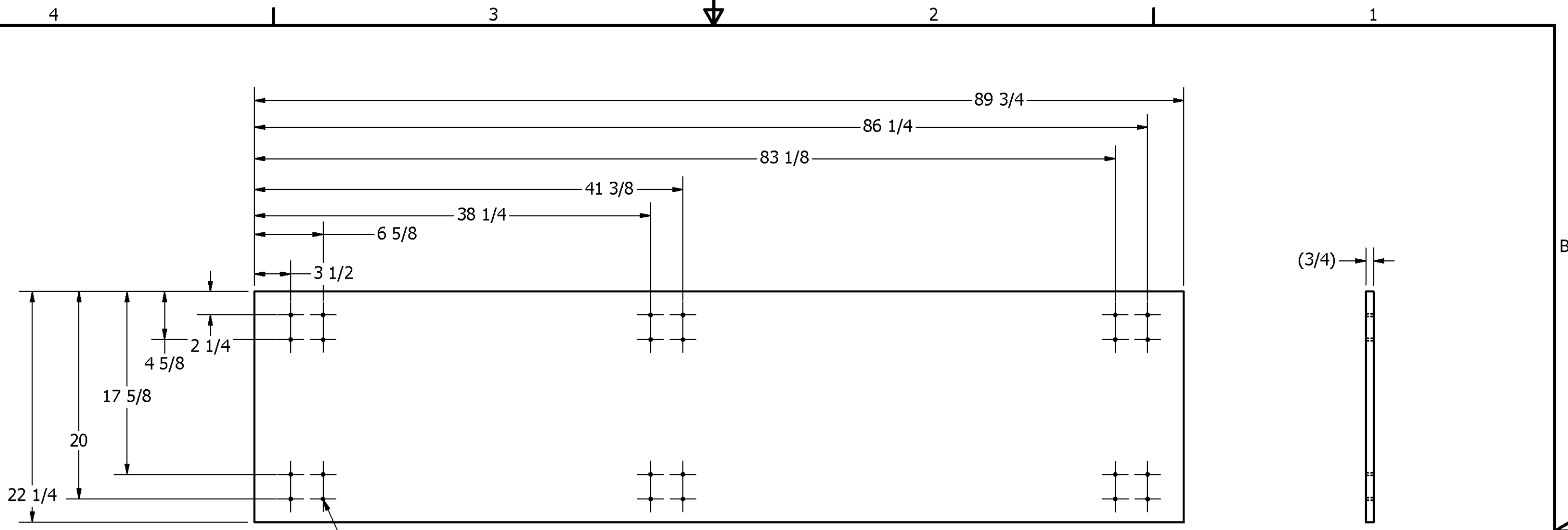
DRAWN mcyr	6/10/2008	FIRST 200 Bedford Street, Manchester, NH 03101 (603) 666-3906 -- FAX (603) 666-3907		
CHECKED				
UNLESS OTHERWISE SPECIFIED TOLERANCES: (INCHES)		TITLE 00200 - Generic Case		
FRAC.	+/- 1/32			
.00	+/- .01			
.000	+/- .005			
ANGULAR	+/- .25 Deg.	SIZE B	DWG NO RC-00200	REV
		SCALE	SHEET 2 OF 10	



DRAWN mcyr	6/10/2008	FIRST 200 Bedford Street, Manchester, NH 03101 (603) 666-3906 -- FAX (603) 666-3907		
CHECKED				
UNLESS OTHERWISE SPECIFIED		TITLE 00200 - Generic Case		
TOLERANCES: (INCHES)				
FRAC.	+/- 1/32			
.00	+/- .01			
.000	+/- .005	SIZE B	DWG NO RC-00200	REV
ANGULAR	+/- .25 Deg.	SCALE	SHEET 3 OF 10	

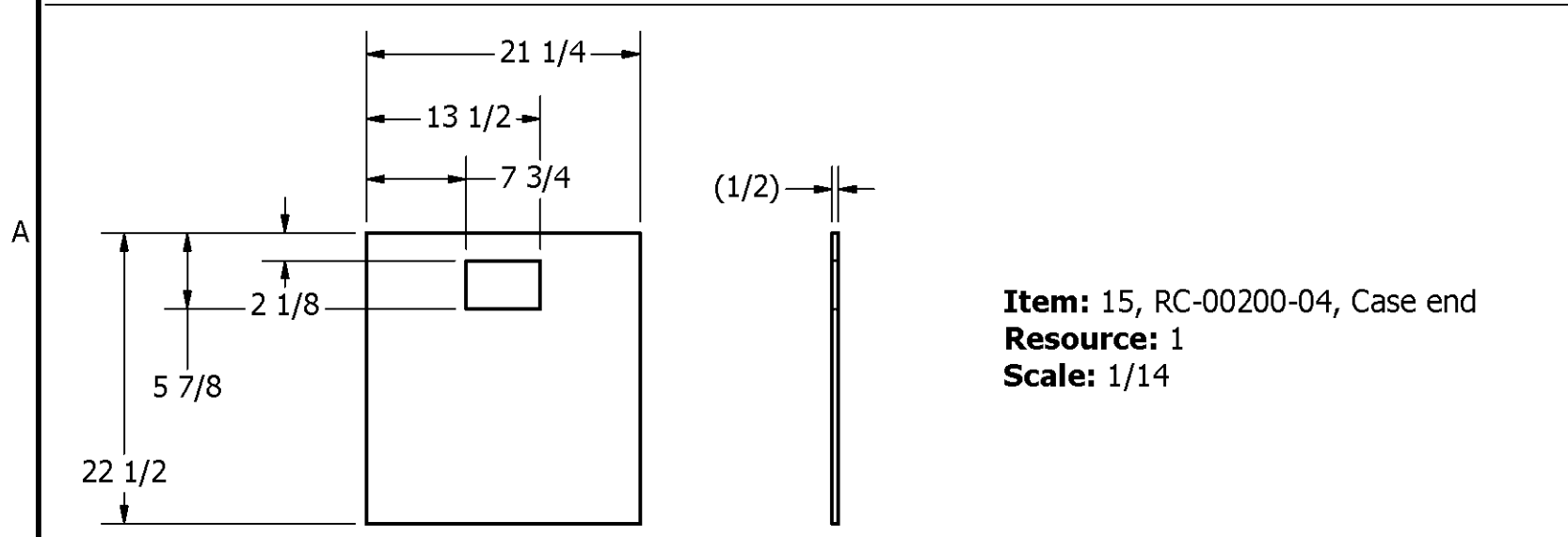


DRAWN mcyr	6/10/2008	FIRST 200 Bedford Street, Manchester, NH 03101 (603) 666-3906 -- FAX (603) 666-3907		
CHECKED				
UNLESS OTHERWISE SPECIFIED TOLERANCES: (INCHES)		TITLE 00200 - Generic Case		
FRAC.	+/- 1/32			
.00	+/- .01	SIZE	DWG NO	REV
.000	+/- .005	B	RC-00200	
ANGULAR	+/- .25 Deg.	SCALE	SHEET 4 OF 10	



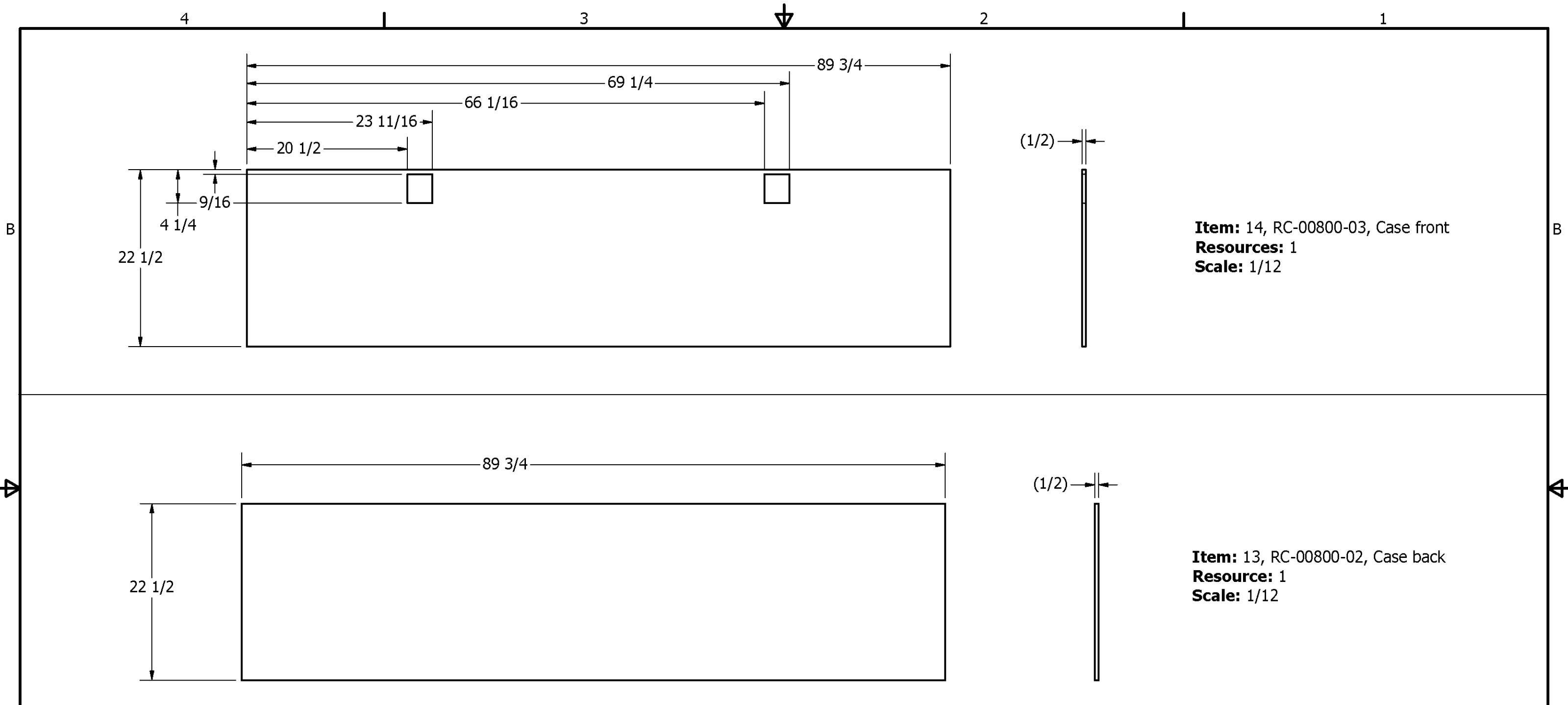
24x \varnothing 1/4 THRU

Item: 12, RC-00800-01, Case bottom
Resource: 5
Scale: 1/10



Item: 15, RC-00200-04, Case end
Resource: 1
Scale: 1/14

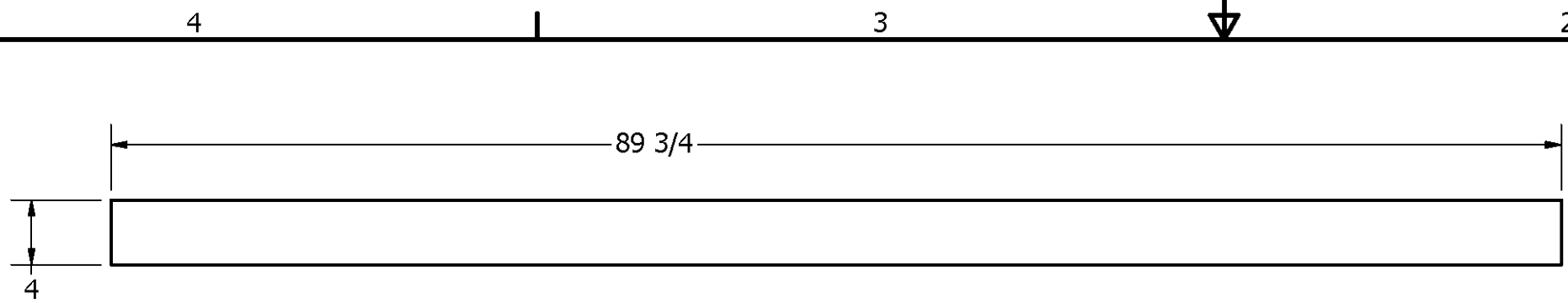
DRAWN mcyr	6/10/2008	FIRST 200 Bedford Street, Manchester, NH 03101 (603) 666-3906 -- FAX (603) 666-3907		
CHECKED				
UNLESS OTHERWISE SPECIFIED TOLERANCES: (INCHES)		TITLE 00200 - Generic Case		
FRAC.	+/- 1/32			
.00	+/- .01			
.000	+/- .005	SIZE B	DWG NO RC-00200	REV
ANGULAR	+/- .25 Deg.	SCALE	SHEET 5 OF 10	



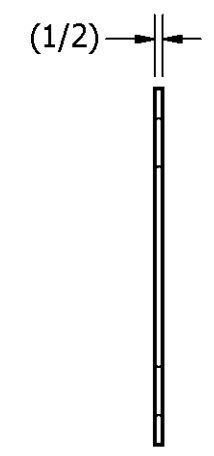
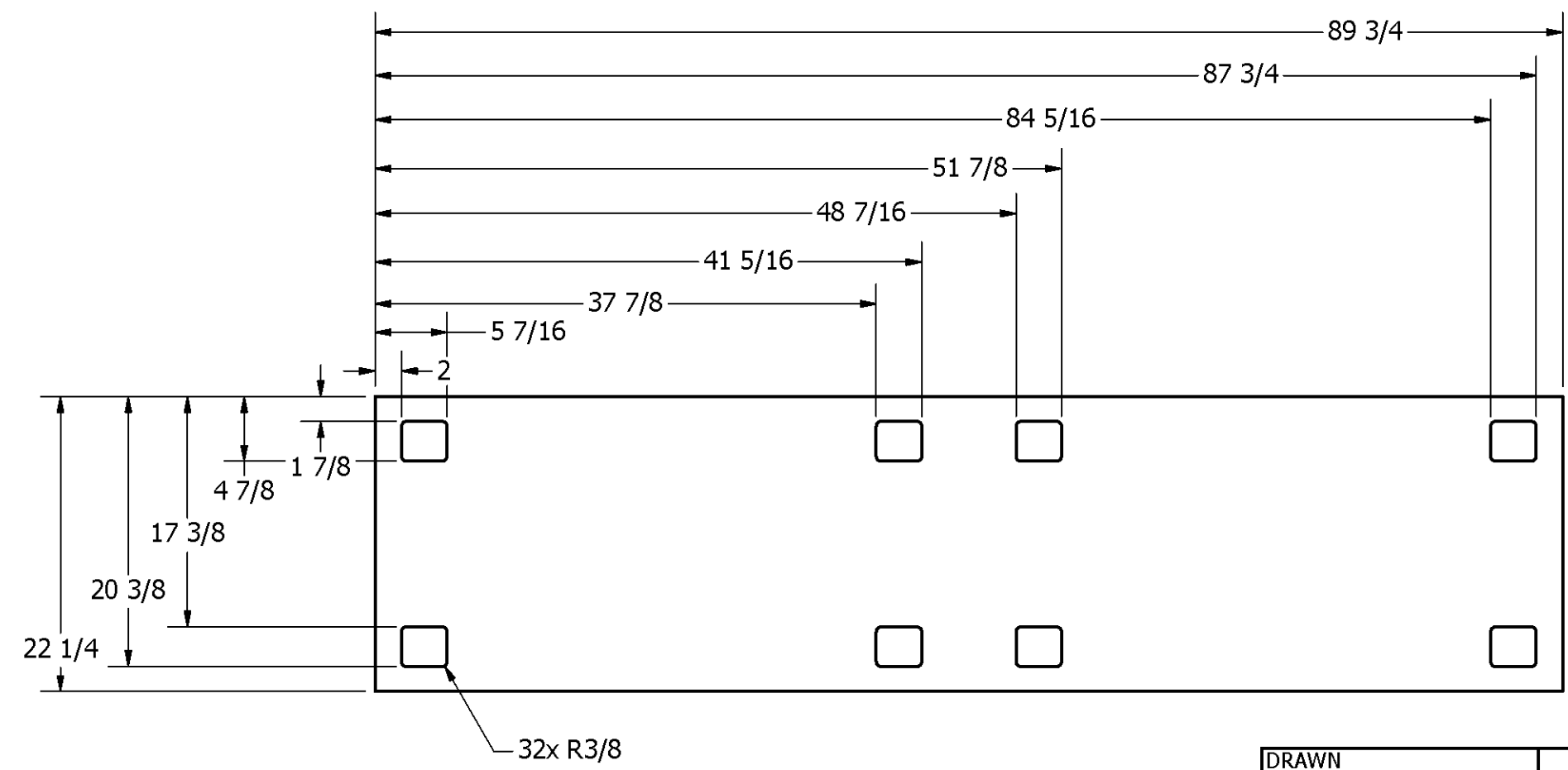
Item: 14, RC-00800-03, Case front
Resources: 1
Scale: 1/12

Item: 13, RC-00800-02, Case back
Resource: 1
Scale: 1/12

DRAWN mcyr		6/10/2008		FIRST 200 Bedford Street, Manchester, NH 03101 (603) 666-3906 -- FAX (603) 666-3907	
CHECKED					
UNLESS OTHERWISE SPECIFIED TOLERANCES: (INCHES)				TITLE 00200 - Generic Case	
FRAC.					
				SIZE	DWG NO
				B	RC-00200
				SCALE	REV
				SHEET 6 OF 10	



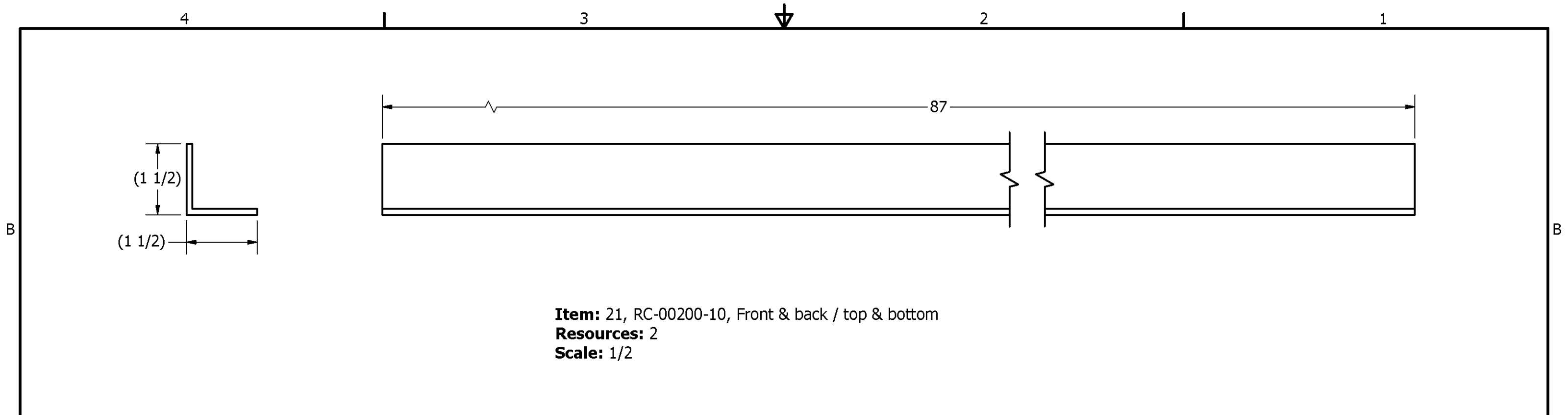
Item: 18, RC-00200-07, Cover front & back
Resource: 1
Scale: 1/10



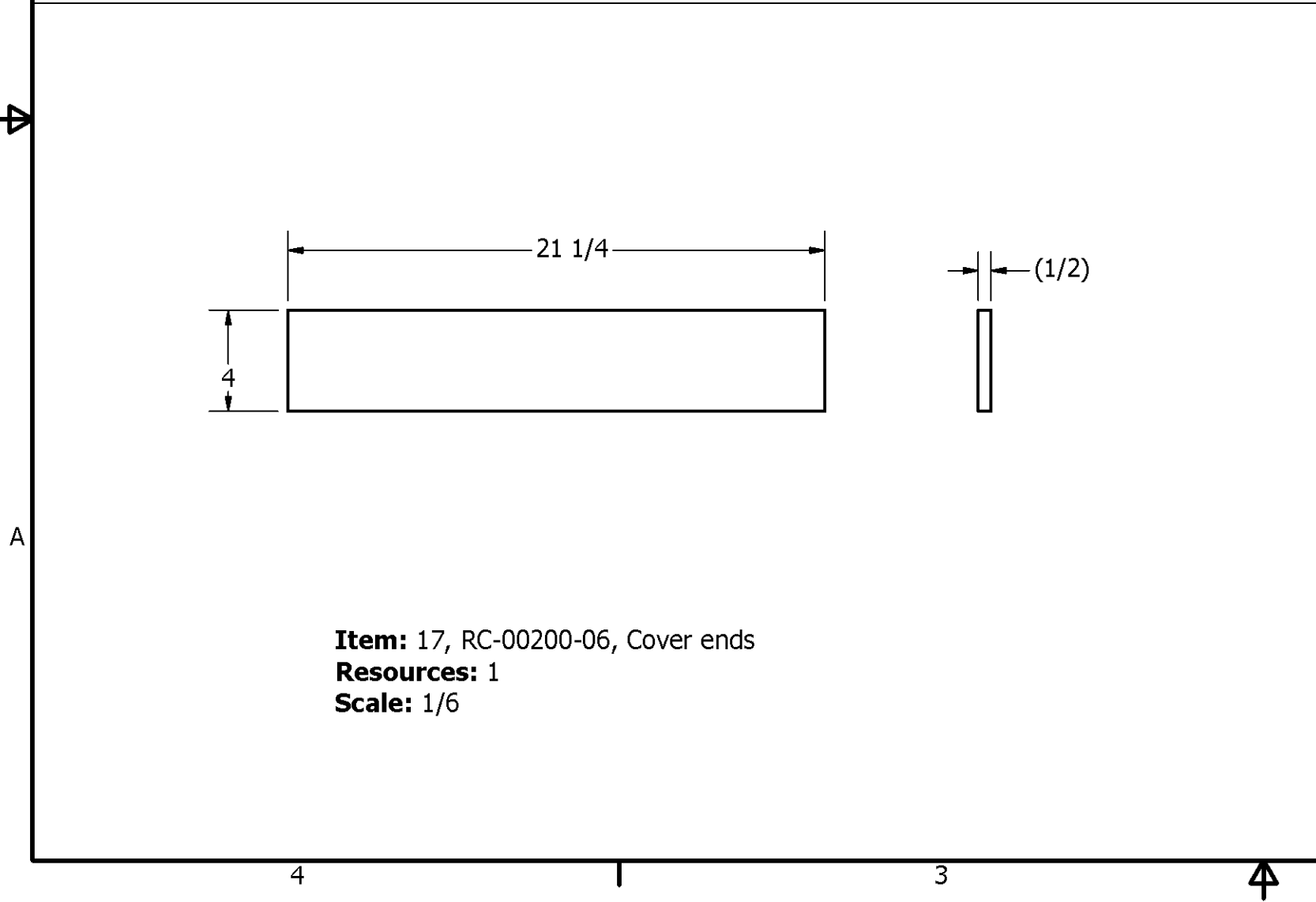
Item: 16, RC-00200-05, Cover top
Resources: 1
Scale: 1/12

DRAWN	mcyr	6/10/2008
CHECKED		
UNLESS OTHERWISE SPECIFIED		
TOLERANCES: (INCHES)		
FRAC.		+/- 1/32
.00		+/- .01
.000		+/- .005
ANGULAR		+/- .25 Deg.

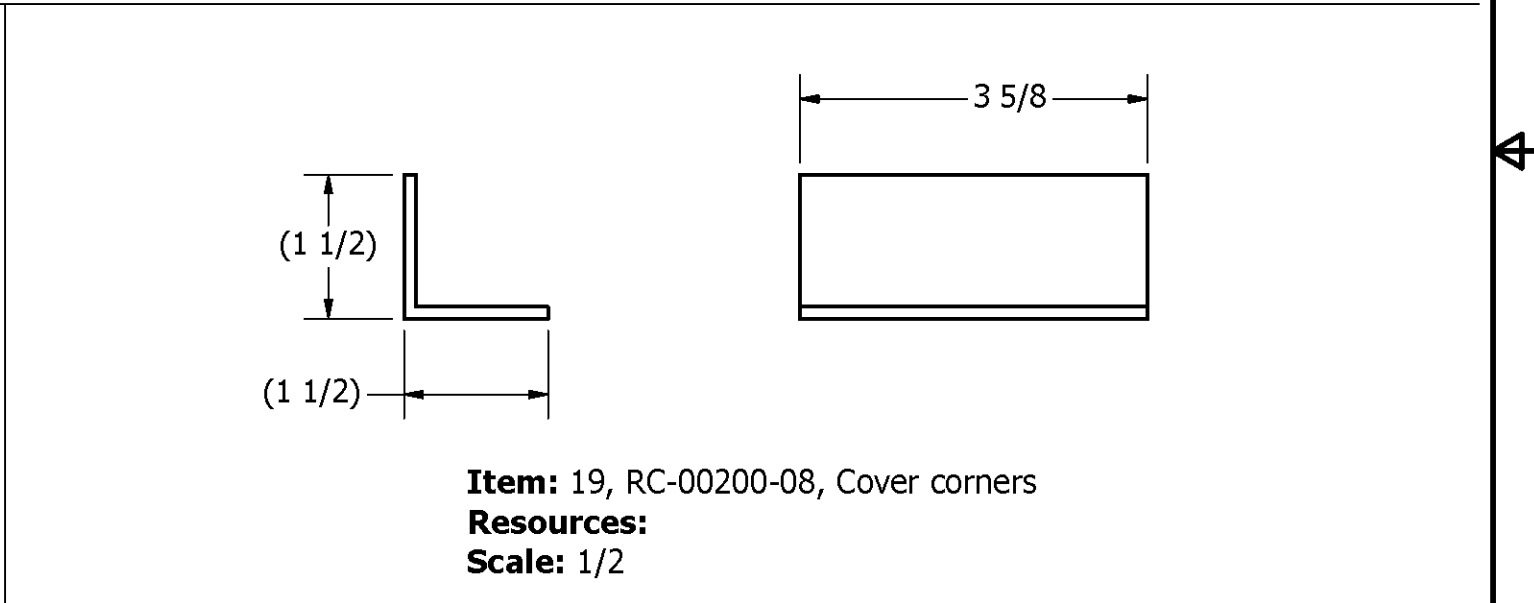
FIRST		
200 Bedford Street, Manchester, NH 03101 (603) 666-3906 -- FAX (603) 666-3907		
TITLE 00200 - Generic Case		
SIZE		DWG NO
B		RC-00200
SCALE		SHEET 7 OF 10



Item: 21, RC-00200-10, Front & back / top & bottom
Resources: 2
Scale: 1/2

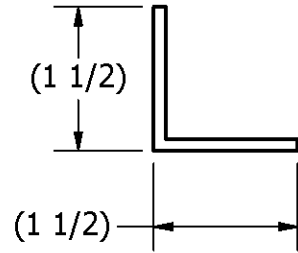
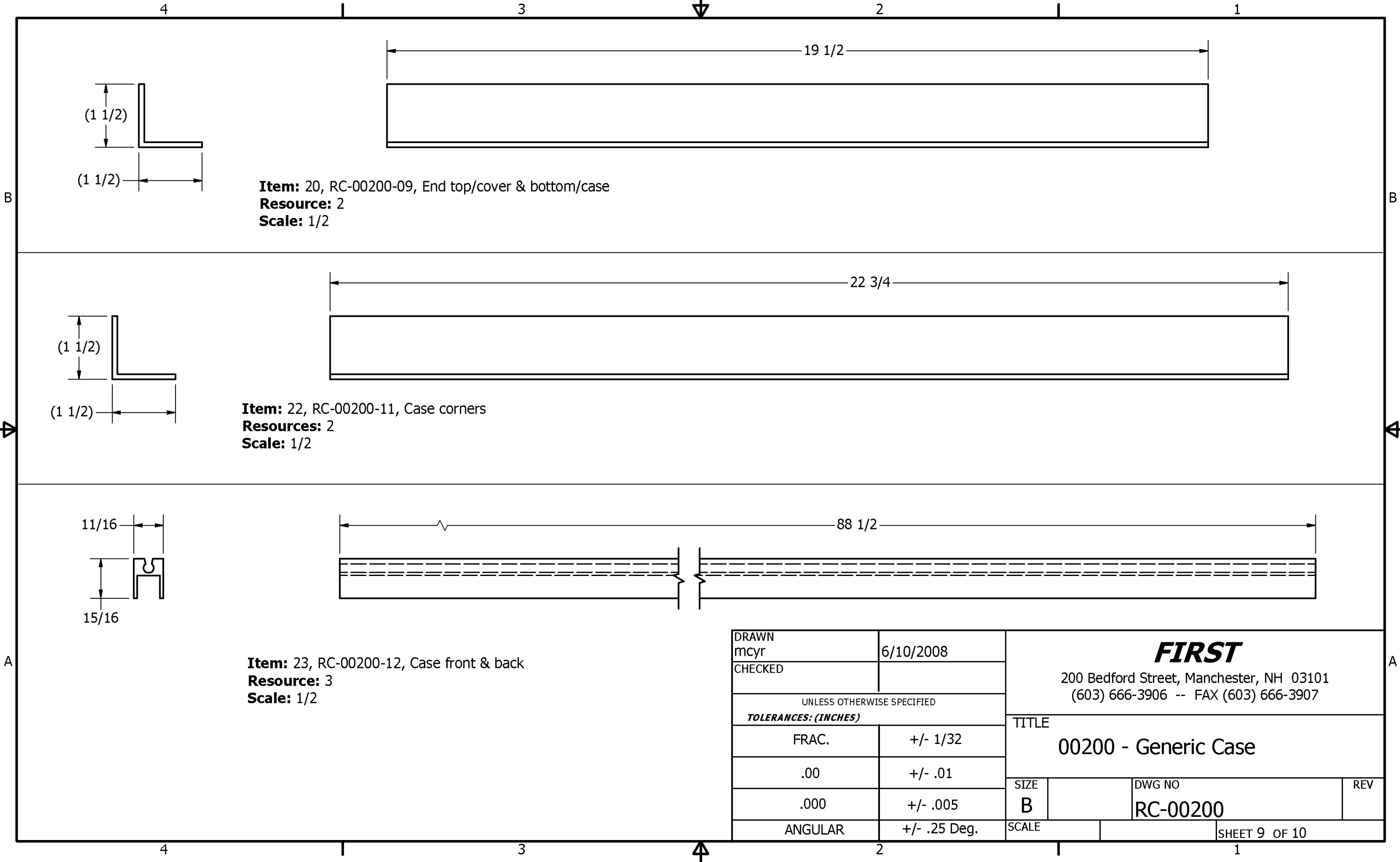


Item: 17, RC-00200-06, Cover ends
Resources: 1
Scale: 1/6

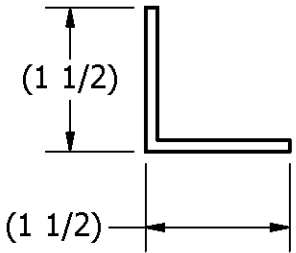


Item: 19, RC-00200-08, Cover corners
Resources:
Scale: 1/2

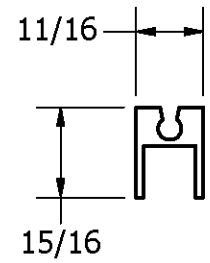
DRAWN	mcyr	6/10/2008	FIRST 200 Bedford Street, Manchester, NH 03101 (603) 666-3906 -- FAX (603) 666-3907	
CHECKED				
UNLESS OTHERWISE SPECIFIED			TITLE 00200 - Generic Case	
TOLERANCES: (INCHES)				
FRAC.		+/- 1/32		
.00		+/- .01		
.000		+/- .005	SIZE	DWG NO
ANGULAR		+/- .25 Deg.	B	RC-00200
			SCALE	REV
				SHEET 8 OF 10



Item: 20, RC-00200-09, End top/cover & bottom/case
Resource: 2
Scale: 1/2



Item: 22, RC-00200-11, Case corners
Resources: 2
Scale: 1/2



Item: 23, RC-00200-12, Case front & back
Resource: 3
Scale: 1/2

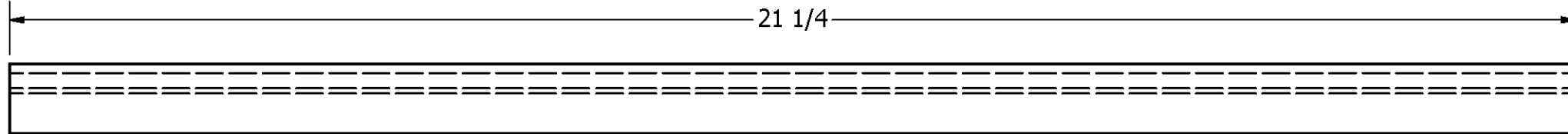
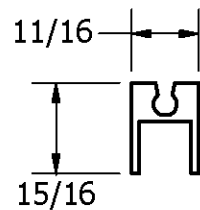
DRAWN mcyr		6/10/2008		FIRST 200 Bedford Street, Manchester, NH 03101 (603) 666-3906 -- FAX (603) 666-3907	
CHECKED					
UNLESS OTHERWISE SPECIFIED				TITLE 00200 - Generic Case	
TOLERANCES: (INCHES)					
FRAC.	+/-	1/32			
.00	+/-	.01			
.000	+/-	.005	SIZE B	DWG NO RC-00200	REV
ANGULAR	+/-	.25 Deg.	SCALE	SHEET 9 OF 10	

4

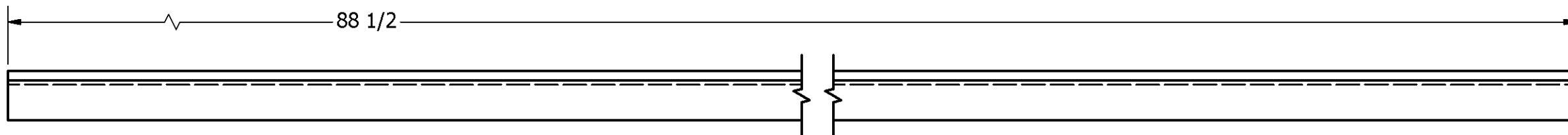
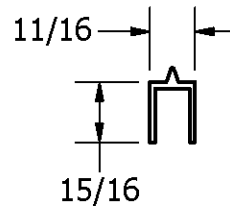
3

2

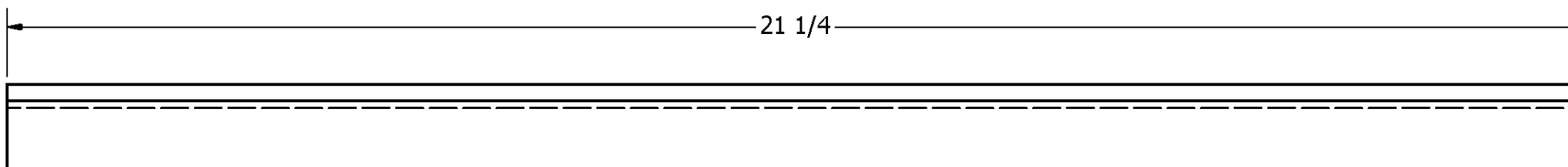
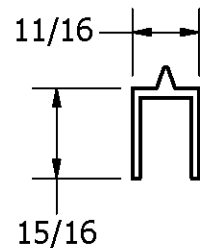
1



Item: 24, RC-00200-13, Case ends
Resource: 3
Scale: 1/2



Item: 25, RC-00200-14, Cover front & back
Resource: 4
Scale: 1/3



Item: 26, RC-00200-15, Cover ends
Resource: 4
Scale: 1/2

DRAWN	mcyr	6/10/2008
CHECKED		
UNLESS OTHERWISE SPECIFIED		
TOLERANCES: (INCHES)		
FRAC.		+/- 1/32
.00		+/- .01
.000		+/- .005
ANGULAR		+/- .25 Deg.

FIRST		
200 Bedford Street, Manchester, NH 03101 (603) 666-3906 -- FAX (603) 666-3907		
TITLE		
00200 - Generic Case		
SIZE	DWG NO	REV
B	RC-00200	
SCALE	SHEET 10 OF 10	

4

3

2

1