

Team Standard Specifications

Safety

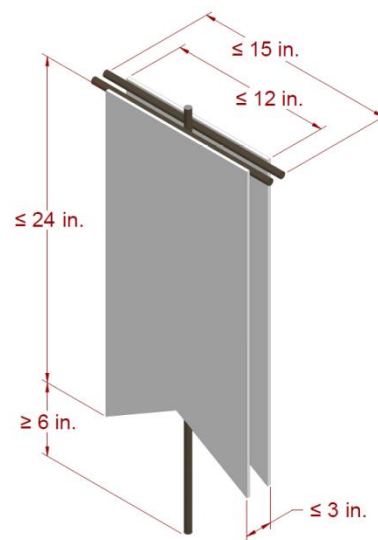
Please make safety a priority when designing, creating, and transporting your Team Standard.

- Mitigate any opportunities for splinters, sharp edges, burrs, and points.
- Make sure the Team Standard assembly can safely be carried throughout a crowded event.

Make sure the assembly is robust such that components don't fall off [and hit people], or fall apart, during transport or matches.

Size

- Altogether, elements of the Standard (does not include support pieces) may not exceed a volume that's 12" wide x 24" tall x 3" deep (305mm x 610mm x 76mm). The Standard may be any shape.
- The vertical support piece may not be taller than 32" (813mm) and must have ½" (12.5mm) outside diameter (OD).
- The distance between the lowest point of the Standard and the end of the vertical support piece must be at least 6" (102mm).
- The horizontal support piece(s) length may not exceed 15" (762mm) in length and ½" (12.5mm) OD.



Weight

- The cumulative weight of the Standard, its support pieces, hardware, etc. may not exceed 3 lbs (1.36 kg).

Materials

The Standard substrate must be made of cloth or other flexible material. There are no prescribed materials for decoration or support pieces; however if shipping internationally, do not use wood.

Content

Standards should reflect your team's identity and must be decorated in the spirit of *FIRST* and Gracious Professionalism. They may not include retroreflective tape or elements that mimic History Patches, or Achievement Streamers (those are reserved for teams earning them). Standards may not be designed such that they blind or distract field crew, opponent drivers, or audience members. During a match, the Standard must be fixed, physically and visually (i.e. no strobing, flashing, changing color, etc.).

Standards will be seen from both sides, so you're encouraged to create two-sided Standards. An idea for one way to do this is shown in the graphic, but you may use a single substrate and simply put content on both sides as an alternative. The content on both sides of a two-sided Standard does *not* need to be the same.

Achievement Streamers

Your team may earn fabric streamers for accomplishments during the season. Streamers will attach to the horizontal support piece, so please reserve approximately 1½" (38 mm) on each end so they fit. Streamers will be made from 1.5 inch (38 mm) wide ribbon that hangs vertically, and will be approximately 18" (457 mm) long. These ribbons will have a grommet installed at one end that will fit the ½ inch (12.5 mm) horizontal support piece. Different colors will represent different achievements. Teams are asked *not* to duplicate the look of these streamers on their own.

History Patches

One 4" wide x 3" tall (102 mm x 76 mm) patch will be provided at each event to display on your Standard. Be sure to keep space available and be prepared to adhere these Patches to your Standard throughout the season. Patches will be self-adhering, with a peel-and-stick adhesive backing.